



# Access Reader

The TLJ Online Access Reader is a hard wired, mains powered unit, often installed on higher traffic public doors, such as the front main entrance.

The reader communicates with a controller located on the secure side of the door. In turn the controller co-ordinates the door lock, exit button, emergency break glass, fire alarm interface & mains power supply.



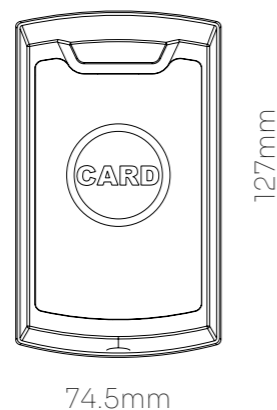
## Specifications

|                               |  |
|-------------------------------|--|
| <b>Input Voltage</b>          | 230 - 240V 50Hz                                      |
| <b>Output Voltage</b>         | DC 11-14V 3.5Amp                                     |
| <b>Material</b>               | Metal, powder coated                                 |
| <b>Backup Battery charge</b>  | 12V 1 Amp  |
| <b>Mains Failure LED</b>      | Yes  |
| <b>12V Output Failure LED</b> | Yes  |
| <b>Lockable Controller</b>    | Yes  |
| <b>Operating Temperature</b>  | 0°C to 45°C  |
| <b>Moisture Resistant</b>     | No (IP enclosure required for external installation) |

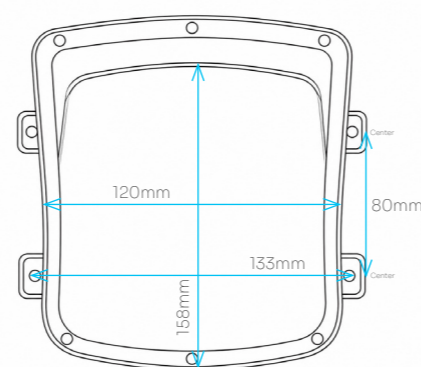
### Compatible Platforms

- > Offline (Data-on-card)
- > Online
- > TLJ Connect (writeback)
- > Smartphone App (BLE)

## Access Control System & Reader Measurements



### Weatherproof Cover



### Other common reader installations:



Car park barrier



Shutter Door



Life Elevator



Pedestrian Gate



Automated Door



Parcel Drop Collection Unit

# Associated access control equipment.

Illustrated below are some associated devices used in access control. Different door types and different applications require a range of devices. Consult a TLJ engineer for more information.



**Electro-magnetical lock**  
Mounted at the head of the door.  
Requires Z&L bracket for inward opening doors.



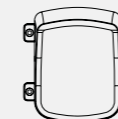
**Electronic Strike/Latch Release**  
Various options, including surface mountm uPVC, monitored and unmonitored.



**Push to Exit Button**  
Surface or Flush mountable, DDA options.  
Single gang back box (25mm min) required for flush mount.



**Electronic Strike/Latch Release**  
Various options, including surface mountm uPVC, monitored and unmonitored.



**External Weather Protective Cover Shiled**





## Range of data carriers.



Mobile Keys



Keycards



Wristbands



Fobs

# Frictionless access with mobile keys.

TLJ Mobile Keys™ are a secure digital access credential, removing the need for physical keycards. Keys are delivered directly to a user's smartphone and stored securely in the cloud with end-to-end encryption. Access is protected by the device's built-in security, including Face ID, fingerprint or passcode.

- > Seamless, contactless access
- > Secure mobile key delivery via:
  - The TLJ app
  - Custom white-label app
  - Integration with your existing app
- > Hands-free access
- > Keys can be stored in:
  - Apple Watch
  - Home screen widgets
  - Apple Wallet (*coming soon*)

[View the TLJ Software brochure to find out more](#)

# Accreditations



EN14846:2008 - Electro mechanically operated locks EN50371:2012- RT&TTE, Low-power human RF exposure & European EMC, LVD directive.



Made in Britain is an internationally-recognised registered trademark which promotes and acknowledges the very best of British manufacturing.



Third-party certification body that assures performance, quality, reliability and traceability of fire protection products. Recognised by regulatory authorities worldwide, it is an internationally respected mark of fire safety and one of the most authoritative in the industry.



Z-Wave Alliance approved, smart home wireless protocol with the convenient Smart Start and the military grade security with S2.



TLJ locks works with Samsung smart things when utilising a TLJ Zpads well as Amazon Alexa via the SmartThings & Amazon eco-system sync.



Kiwa is an accredited certification body and test laboratory. It is accredited by European accreditation bodies and is a Notified Body for various directives and regulations. TLJ locks are thoroughly fire tested by KIWA on a substantial amount of door types, densities and sizes.



PAS24 - Physical security attack test, including mechanical load testing BS6375-2 and cycle testing of 50,000 cycles EN1191.



Tested and successfully passed a 10C fire burn test and subsequent hose stream test, in line with state code in the US & Canada.



All TLJ locks are rigorously tested to comply with FCC standards and has been proven to do so.



Grade 2: The American National Standards Institute oversees Standards and Conformity Assessment Activities in The United States. PENDING.



EN 1634-1:2014 - Fire resistance & smoke control for a minimum of 30/60 minutes.





**TLJ Access Control**

68/78 Leads Road, Hull, East Yorkshire, HU7 0BY, UK

[www.tljgroup.com](http://www.tljgroup.com) 0044 (0)1482 830334

