



Infinity

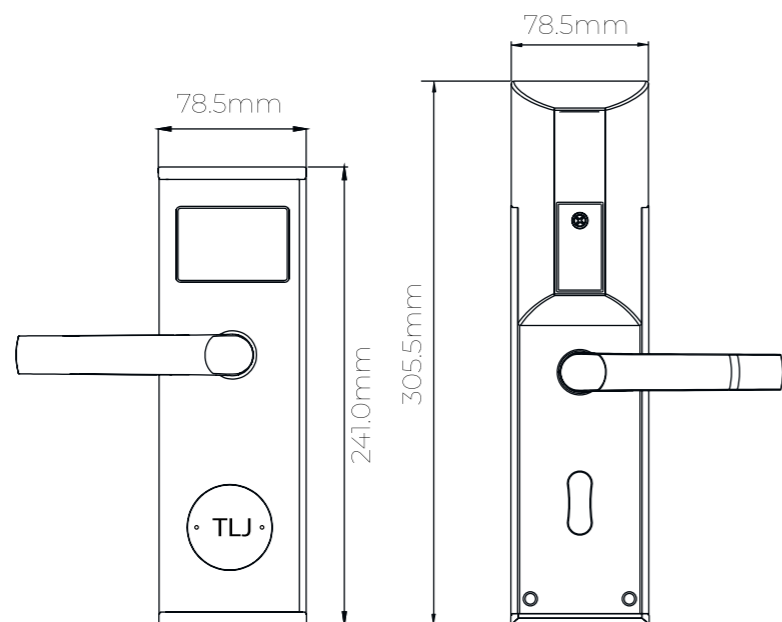
Electronic Lock Set

The TLJ Infinity lock set utilises RFID and BLE technology to deliver seamless contactless operation, enhancing convenience and ease of use.

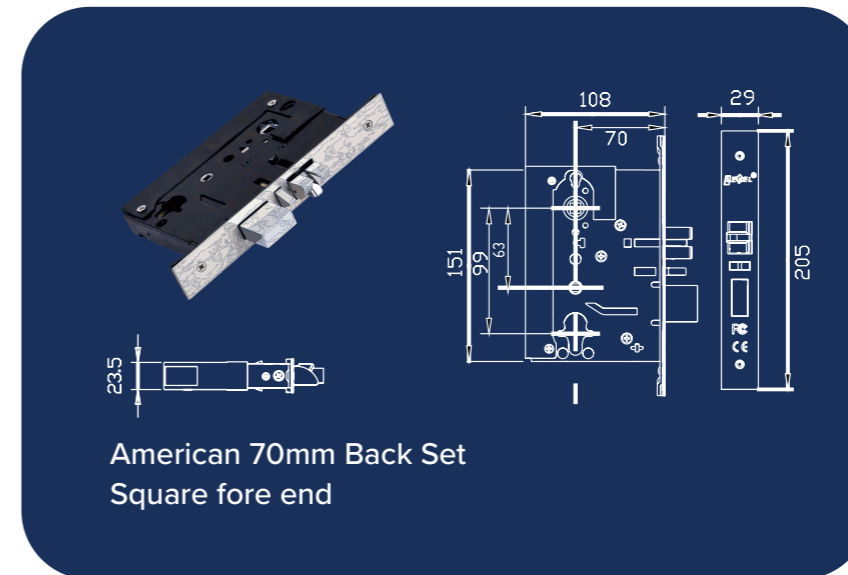
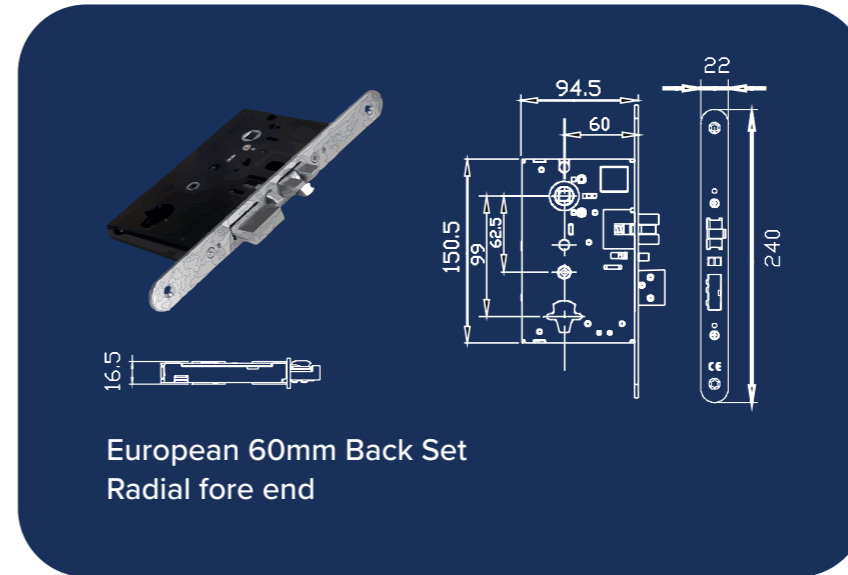
Its traditional yet modern design is suited to both new developments and refurbishment projects. A wide range of lock cases, fore ends, keep plates and escutcheons allows for straightforward upgrades from older mechanical keyed systems or outdated magstripe solutions.



Infinity Lock Set Stencil



Lock Case Options



Multiple face plate and keep plate sizes are available to suit specific requirements, enabling greater flexibility for retrofit projects.





Lakeside Hotel & Spa,
Lake District



Contactless access with RFID and BLE technology



Flexible access with support for mobile keys, keycards, fobs and wristbands



Designed for high-traffic environments with up to 30,000 openings from tested TLJ AA batteries



Built-in self-diagnostics with LED indicators for fast fault identification



Low battery alerts with reserve power to prevent lockouts



Full visibility with an audit trail of the last 1,000 openings and exits



Infinity lock set features.

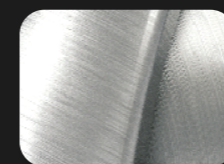
> Smart lockcase with three embedded sensors:

- Latch alarm when door is not closed
- Deadbolt double-lock function
- Auditable mechanical override key

> Multiple operating modes to suit different applications:

- Hotel/Hospitality mode
- PBSA student mode
- BTR residential mode
- Office/Commercial mode

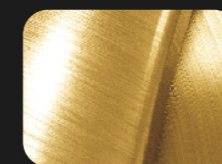
Available Finishes



Scratched Silver
Brushed Satin Chrome



Polished Chrome
Mirrored Silver



PVD
Brushed Satin Gold



Polished Gold
Mirrored Brass



Matt Black
Midnight Matte

Finishes are subject to minimum order quantities.



Range of data carriers.



Mobile Keys



Keycards



Wristbands



Fobs

Frictionless access with mobile keys.

TLJ Mobile Keys™ are a secure digital access credential, removing the need for physical keycards. Keys are delivered directly to a user's smartphone and stored securely in the cloud with end-to-end encryption. Access is protected by the device's built-in security, including Face ID, fingerprint or passcode.

- > Seamless, contactless access
- > Secure mobile key delivery via:
 - The TLJ app
 - Custom white-label app
 - Integration with your existing app
- > Hands-free access
- > Keys can be stored in:
 - Apple Watch
 - Home screen widgets
 - Apple Wallet (*coming soon*)

[View the TLJ Software brochure to find out more](#)

Accreditations



EN14846:2008 - Electro mechanically operated locks EN50371:2012- RT&TTE, Low-power human RF exposure & European EMC, LVD directive.

Made in Britain is an internationally-recognised registered trademark which promotes and acknowledges the very best of British manufacturing.

Third-party certification body that assures performance, quality, reliability and traceability of fire protection products. Recognised by regulatory authorities worldwide, it is an internationally respected mark of fire safety and one of the most authoritative in the industry.

Z-Wave Alliance approved, smart home wireless protocol with the convenient Smart Start and the military grade security with S2.

TLJ's products integrate with Samsung SmartThings when utilising a TLJ Zpad as well as Amazon Alexa via the SmartThings & Amazon ecosystem sync.

Kiwa is an accredited certification body and test laboratory. It is accredited by European accreditation bodies and is a Notified Body for various directives and regulations. TLJ locks are thoroughly fire tested by KIWA on a substantial amount of door types, densities and sizes.

PAS24 - Physical security attack test, including mechanical load testing BS6375-2 and cycle testing of 50,000 cycles EN1191.

Tested and successfully passed a 10C fire burn test and subsequent hose stream test, in line with state code in the US & Canada.

All TLJ locks are rigorously tested to comply with FCC standards and has been proven to do so.

Grade 2: The American National Standards Institute oversees Standards and Conformity Assessment Activities in The United States. PENDING.

EN 1634-1:2014 - Fire resistance & smoke control for a minimum of 30/60 minutes.

www.tljgroup.com





TLJ Access Control

68/78 Leads Road, Hull, East Yorkshire, HU7 0BY, UK
www.tljgroup.com 0044 (0)1482 830334

