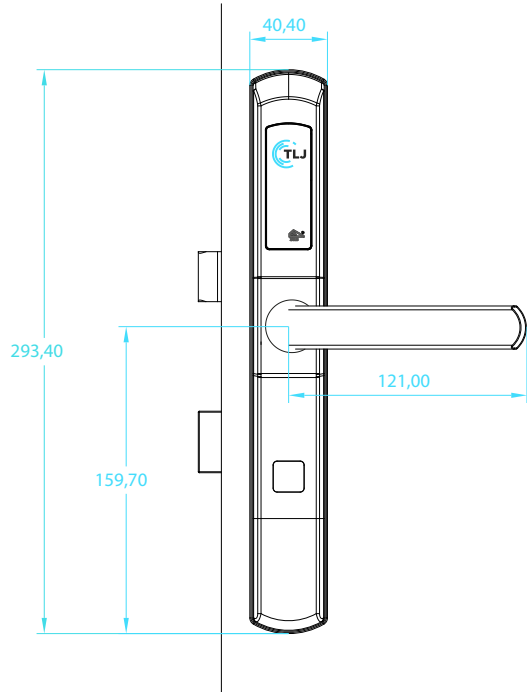
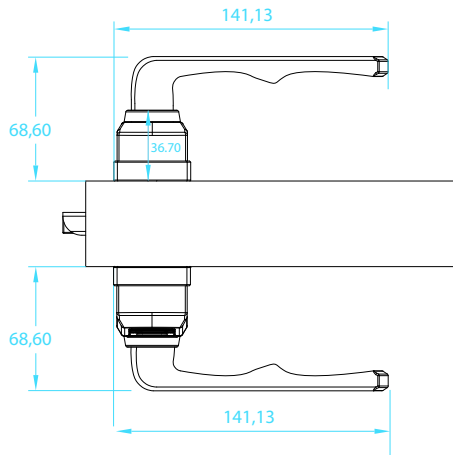


Technical Data Sheet



Power	4 x AA battery (TLJ batteries recommended)
Material	Stainless steel SUS304 & Polycarbonate Stainless steel SUS304 security back plate
Locking mechanism	Located within handle set, designed to work with mechanical lock cases or multi-point locks
Battery location	Internal handle set
Emergency Open	Mechanical over-ride cylinder, physical key optional
Operating Temp	-20°C to 70°C
Certifications	SKG***- Security attack & cycle testing EN1634-1 - Fire tested to FD30 doors EMC, R&TTE & LVD Directives