

TLJ emergency break glass



Data Sheet

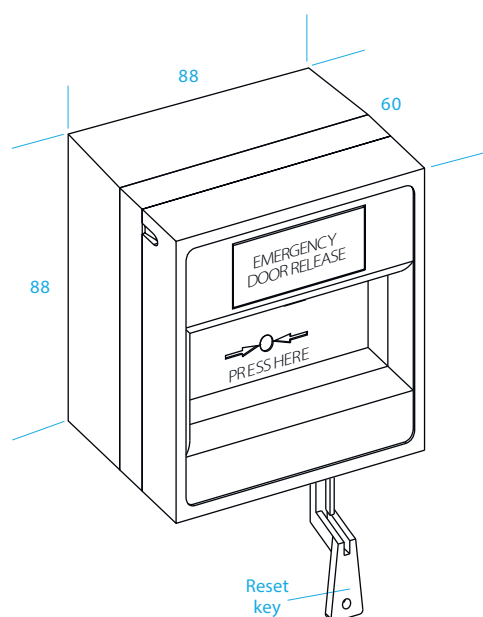


TLJ Emergency break glass

The TLJ emergency break glass is a double pole call point providing the building/owner, occupier with the confidence that they can ensure safe evacuation for all persons on the premises in the event of an emergency.

Resettable and accompanied by a reset tool, for the administrator to reactivate the door lock. Double pole relay integrated allowing for both polarities of power to be broke, or connection to a monitoring system or audible buzzer.

Protective cover to aid with miss use prevention.



Specification:

Max Rating - 5Amp.240V

Contact Resistance - 3A Ω @ 125V

Operational Life - tested to 100,000 cycles without failure

Operation - Push to Make/Break x 2

Weight - 186g

IP24 internal use only

TLJ Access Control

68/78 Leads Road, Hull, East Yorkshire, HU7 0BY, UK

www.TLJlimited.com 0044 (0)1482 830334



TLJ access control

Part of the TLJ Group