

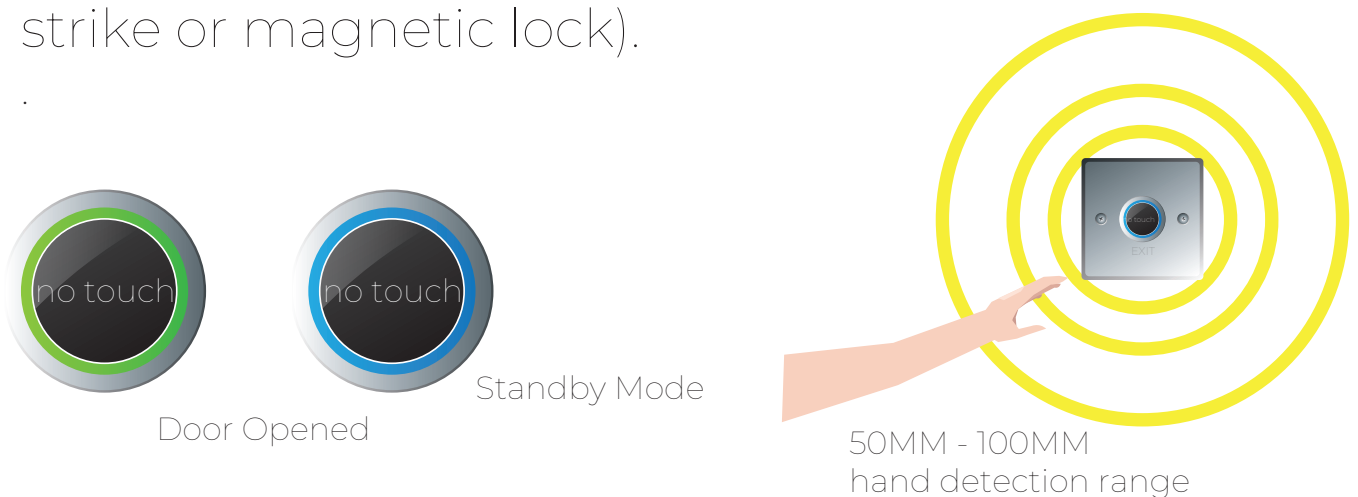


noTouch

Exit Button by TLJ

TLJ's noTOUCH exit button provides contactless operation of shared access doors, for zero contamination of user's hands.

Replacing standard mechanical Push to Exit buttons, noTOUCH employs infra-red sensing technology to remotely release the door securing mechanism (e.g. electronic strike or magnetic lock).



Specification:

Max Rating - 5Amp.240V.

Contact Resistance - 50mOhms.

Operational Life - tested to 100,000 cycles without failure.

Operation - Push to Make and Push to Break.

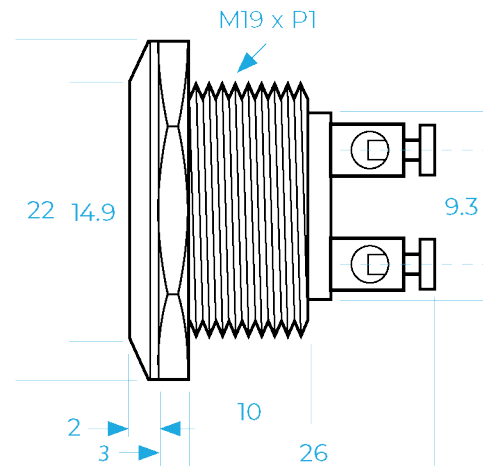
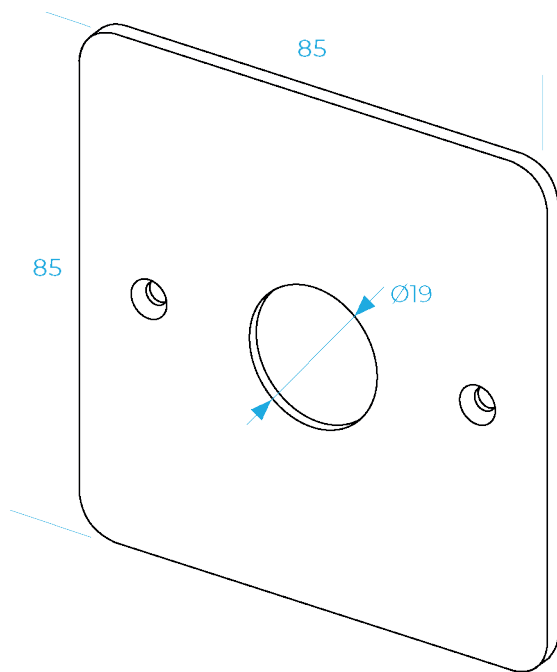
Dimensions:

Standard flush - 86 x 86 x 3.5mm.

noTouch

Exit Button by TLJ

The TLJ exit switches are supplied complete as flush or surface. The surface units have an extruded box, which has a brushed stainless steel finish. All the exit switches in this range are suitable for high traffic applications, and are suitable for internal use.



Dimensions:

Standard flush - 85 x 85 x 2mm.

Standard surface - 85 x 85 x 30mm.

Specification:

Max Rating - 5Amp.240V.

Contact Resistance - 50mOhms.

Operational Life - tested to 100,000 cycles without failure.

TLJ Access Control

68/78 Leads Road, Hull, East Yorkshire, HU7 0BY, UK

www.TLJlimited.com 0044 (0)1482 830334

